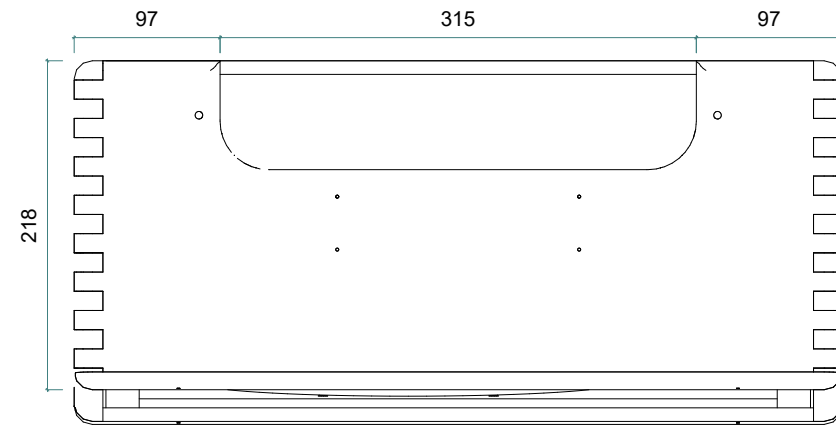
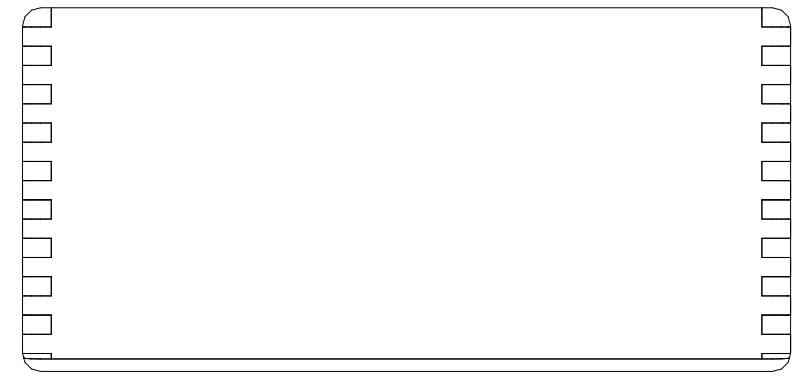


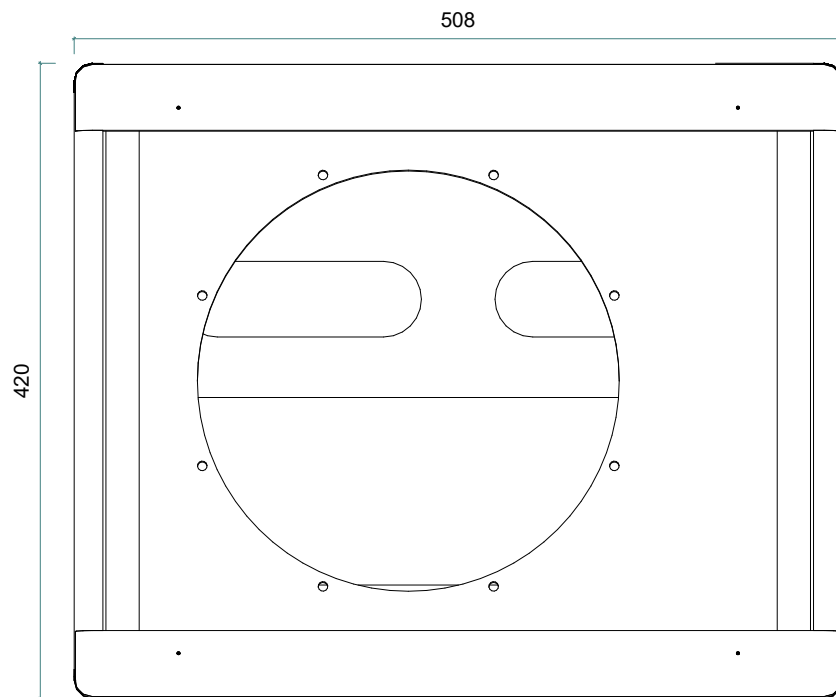
Front Axo View



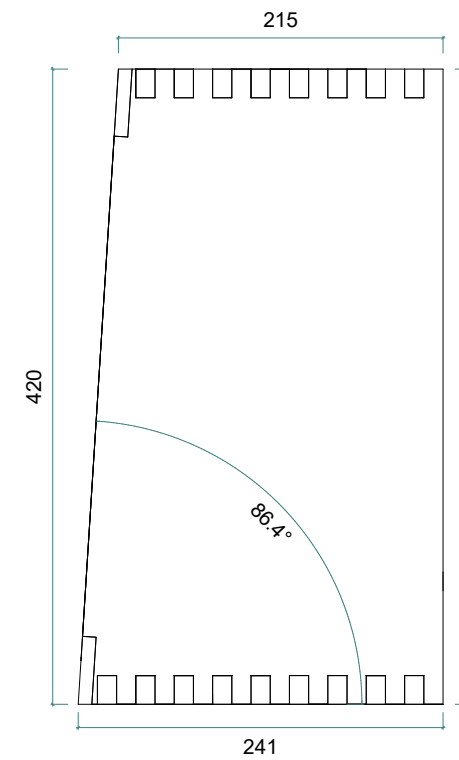
Plan View



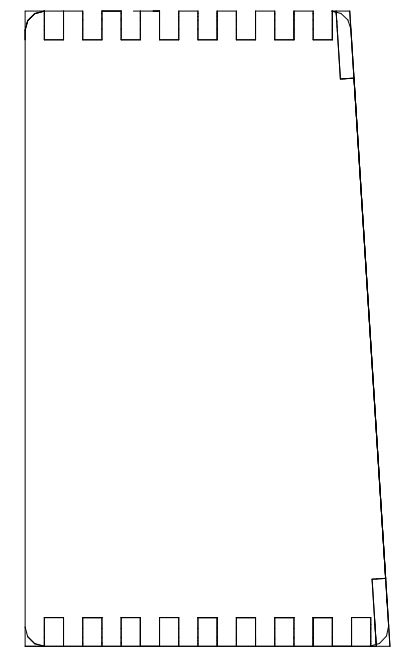
Bottom View



Front View



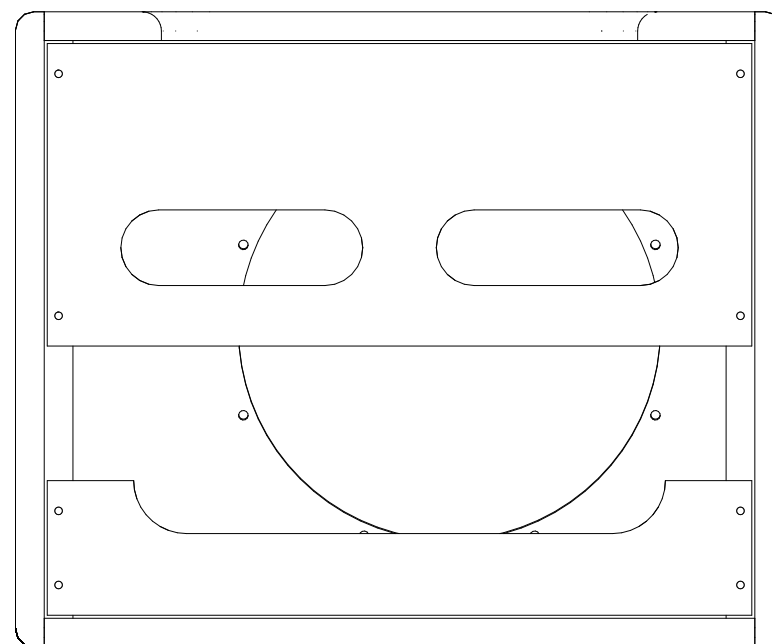
RH View



LH View



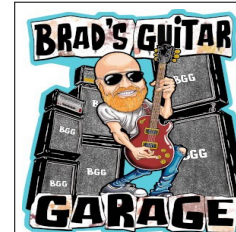
Rear Axo View



Rear View

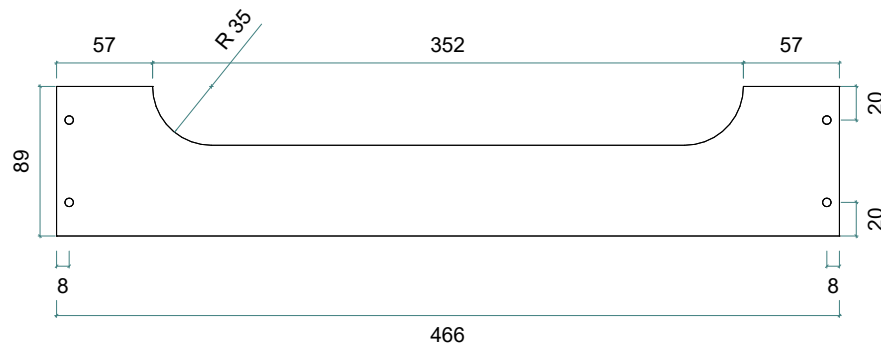
**Notes:**

- Drawings not to be reproduced without consent
- Check material thickness. Screw location and finger join depth will have to be adjusted to suit.
- Allowance have been made for standard tweed covering and approx 2mm thick grille cloth.
- Dimensions may need to be altered for other materials or timber finishing.
- It's suggested that all screws be fitted with suitable T-nuts or threaded inserts for longevity.
- Hole diameter may vary with hardware choice.
- Trial and error may be required with some hardware.
- Speaker cutout and mounting holes may vary with manufacturers. measure actual unit before drilling.

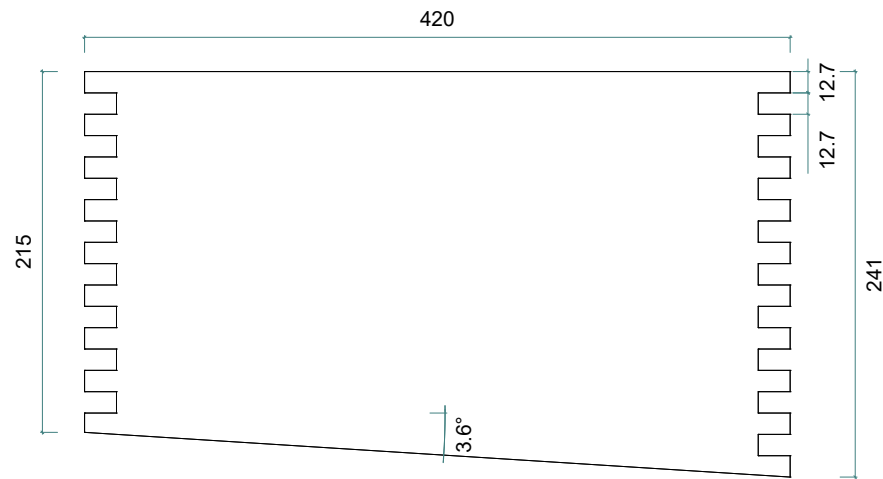


<b>Project</b>	Tweed Deluxe Style Cabinet				
<b>Title</b>	12" driver, 5E3 Style Chassis				
<b>Project No.</b>	N/A	<b>Sheet No:</b>	1/2	<b>Issue</b>	A
<b>Drawn By</b>	BW	<b>Scale</b>	1:5@A3(UNO)	<b>Date</b>	21/01/24

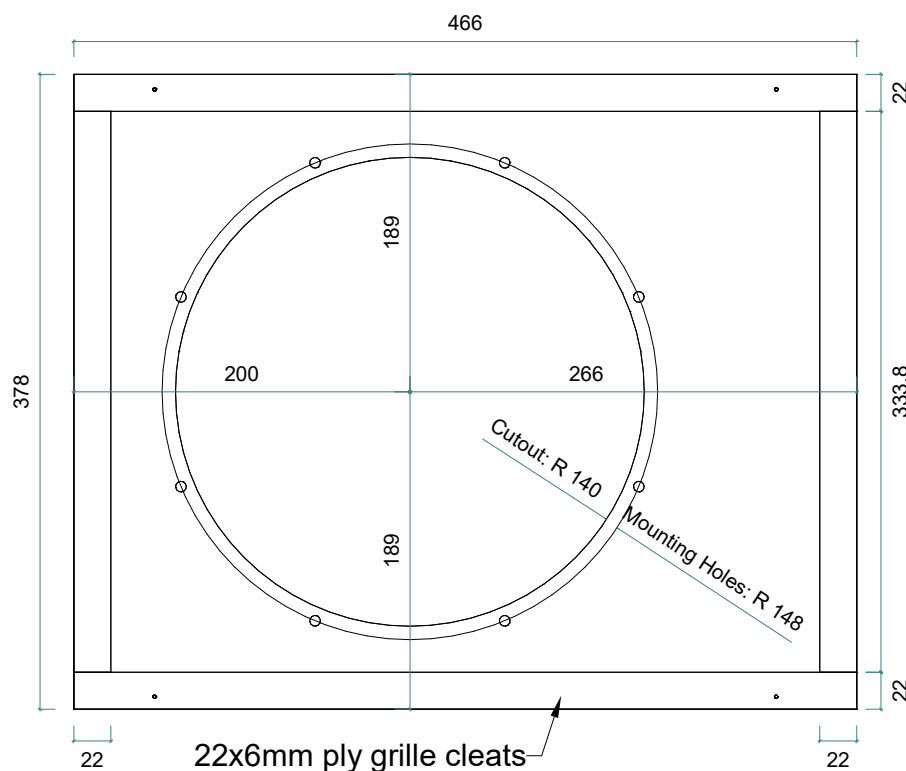
Lower Back Panel (9mm ply):



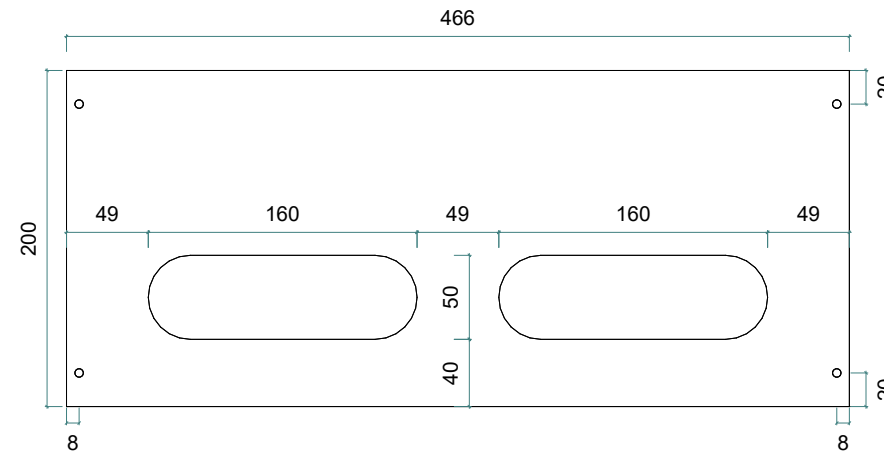
LH End (19mm solid pine):



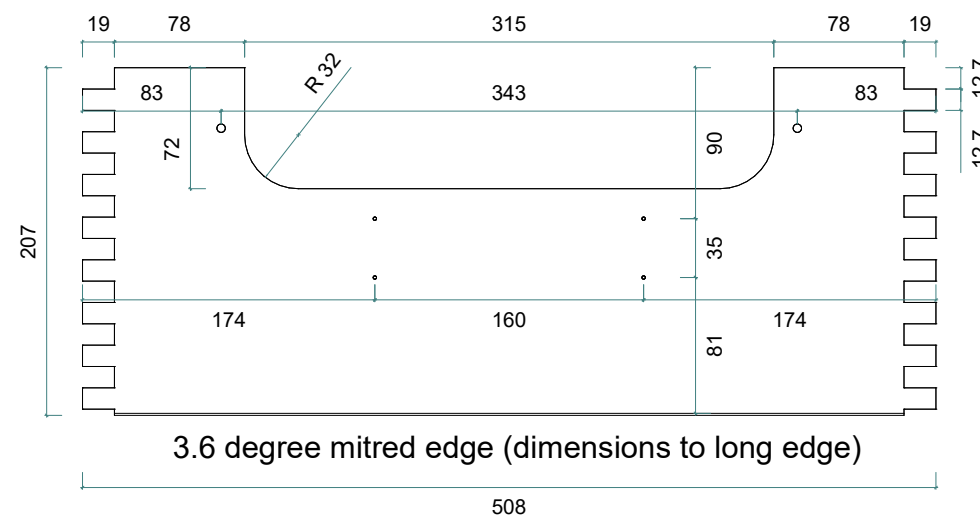
Baffle (9mm ply):



Upper Back Panel (9mm ply):

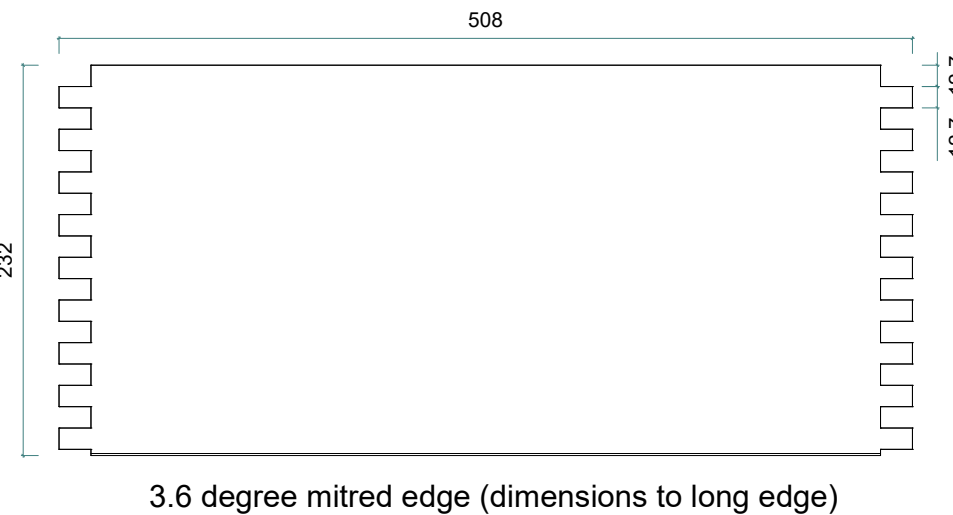


Top (19mm solid pine):



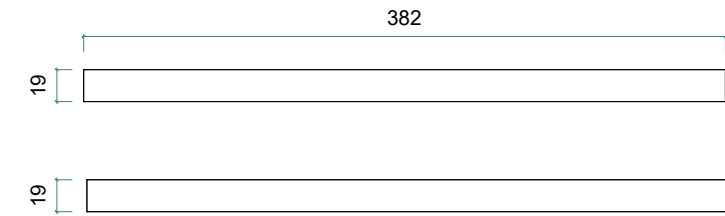
3.6 degree mitred edge (dimensions to long edge)

Base (19mm solid pine):

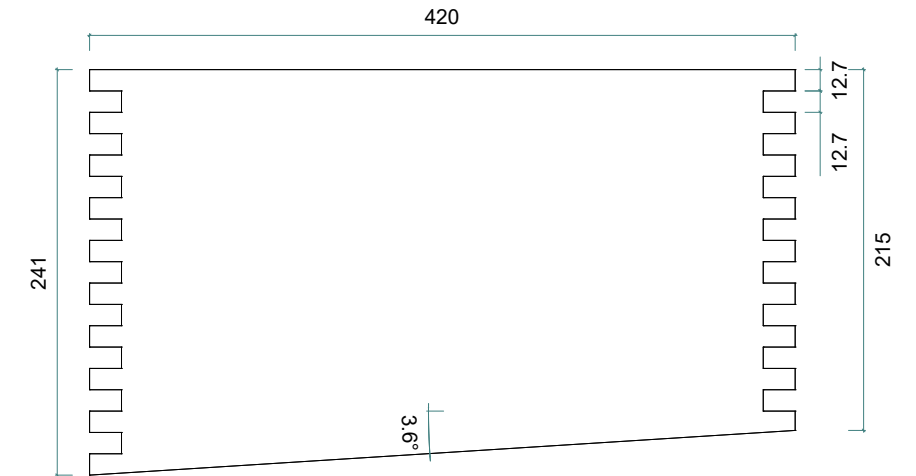


3.6 degree mitred edge (dimensions to long edge)

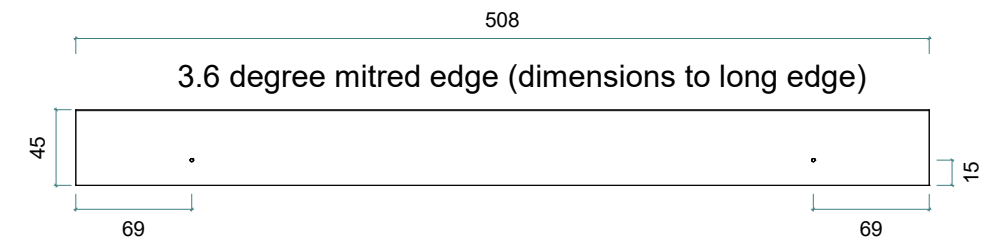
Back Panel Cleats (19mm solid pine):



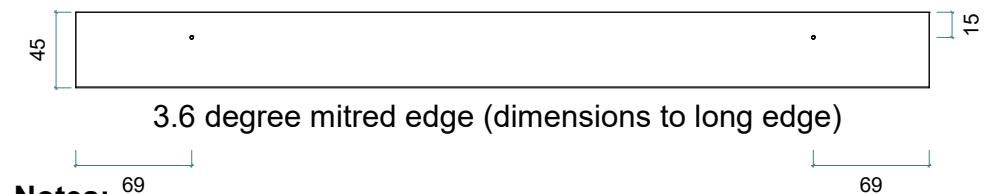
RH End (19mm solid pine):



Face Panel Top (9mm ply):

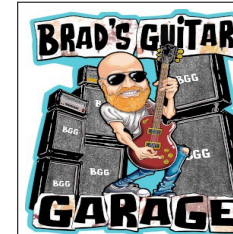


Face Panel Bottom (9mm ply):



Notes:

- Drawings not to be reproduced without consent
- Check material thickness. Screw location and finger join depth will have to be adjusted to suit.
- Allowance have been made for standard tweed covering and approx 2mm thick grille cloth.
- Dimensions may need to be altered for other materials or timber finishing.
- It's suggested that all screws be fitted with suitable T-nuts or threaded inserts for longevity.
- Hole diameter may vary with hardware choice.
- Trial and error may be required with some hardware.
- Speaker cutout and mounting holes may vary with manufacturers. measure actual unit before drilling.



<b>Project</b>	Tweed Deluxe Style Cabinet				
<b>Title</b>	12" driver, 5E3 Style Chassis				
<b>Project No.</b>	N/A	<b>Sheet No:</b>	2/2	<b>Issue</b>	A
<b>Drawn By</b>	BW	<b>Scale</b>	1: 4.5@A3(UNO)	<b>Date</b>	21/01/24