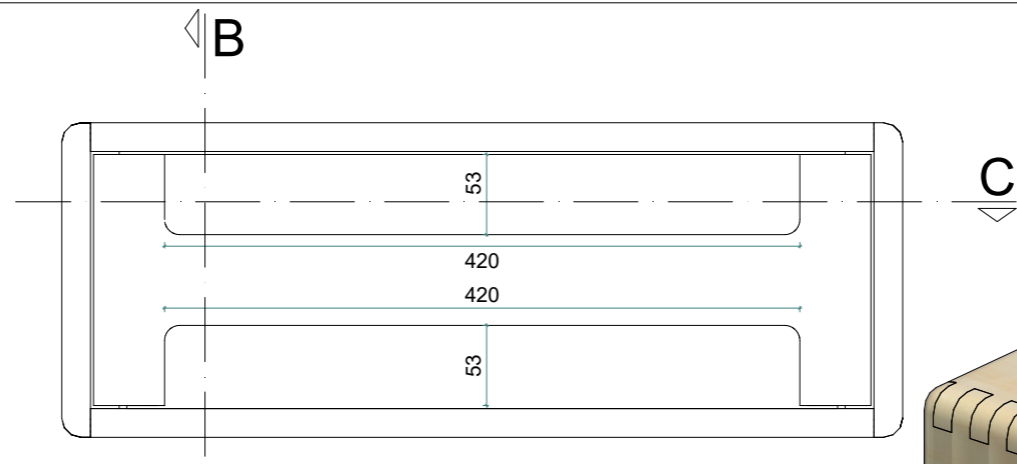
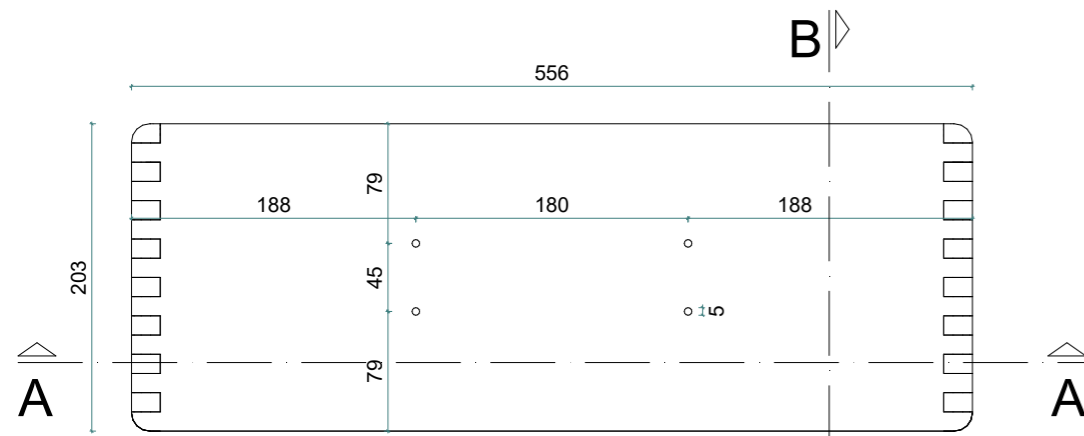


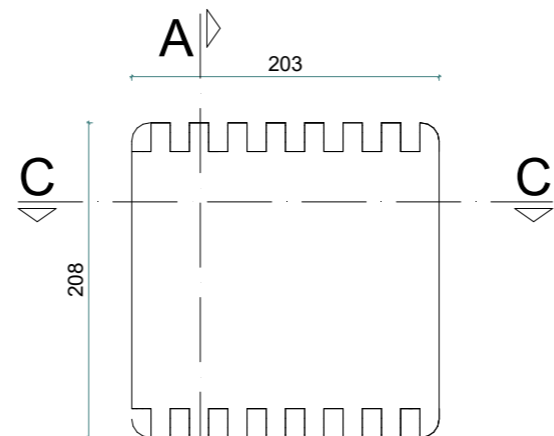
Front View



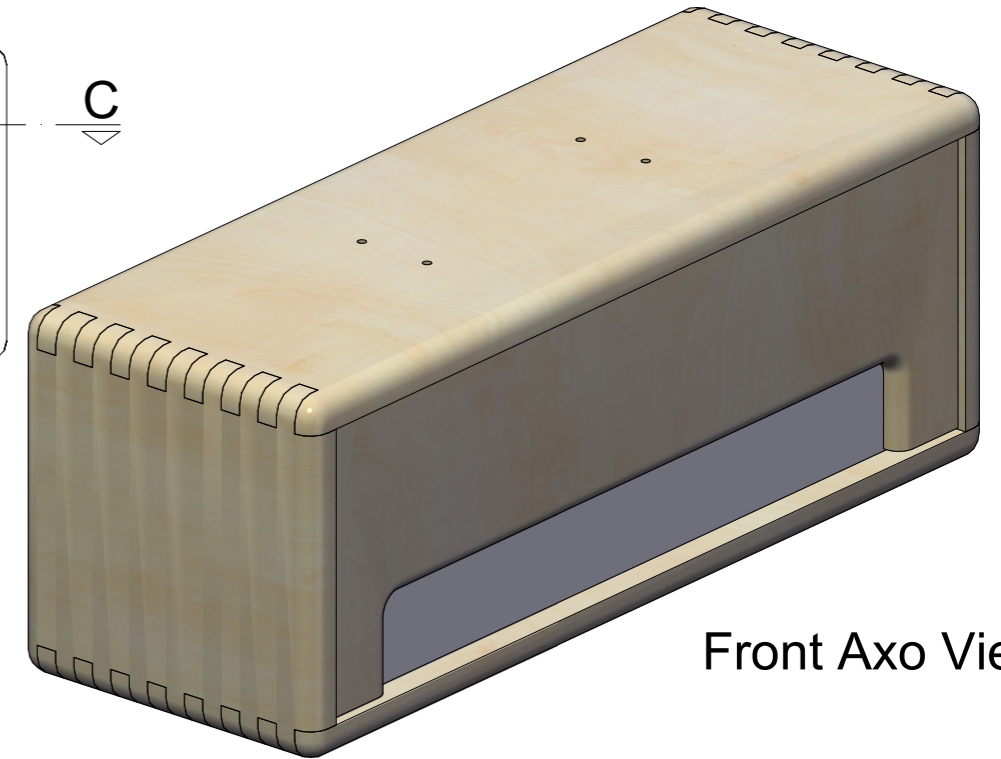
Rear View



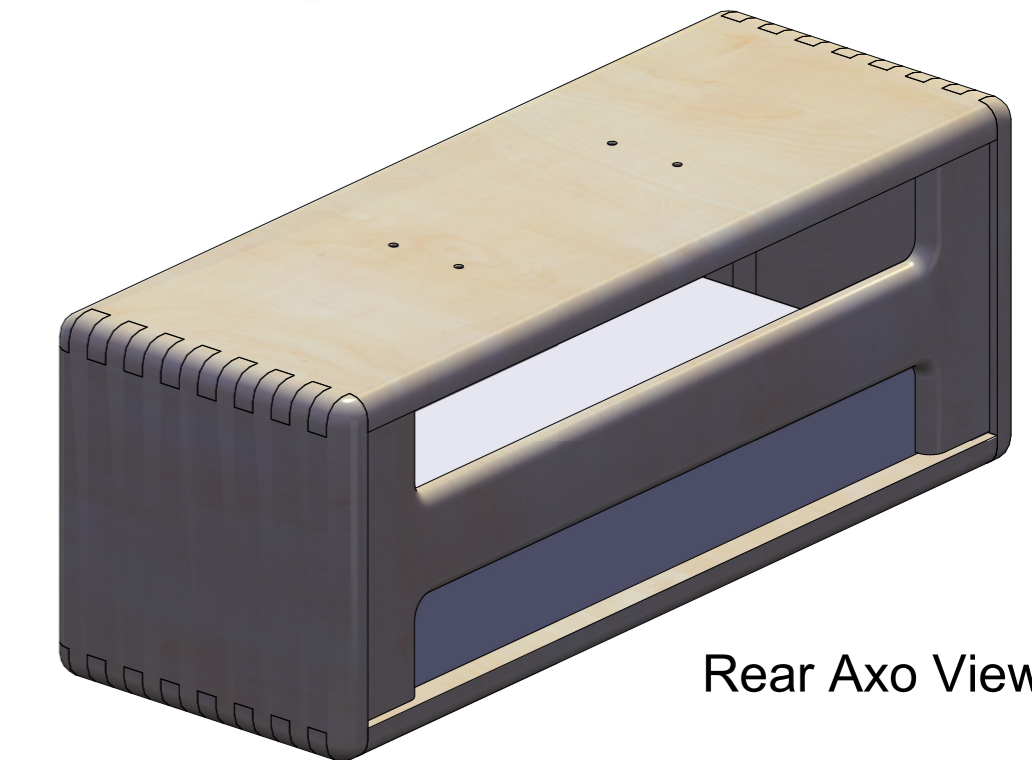
Top View



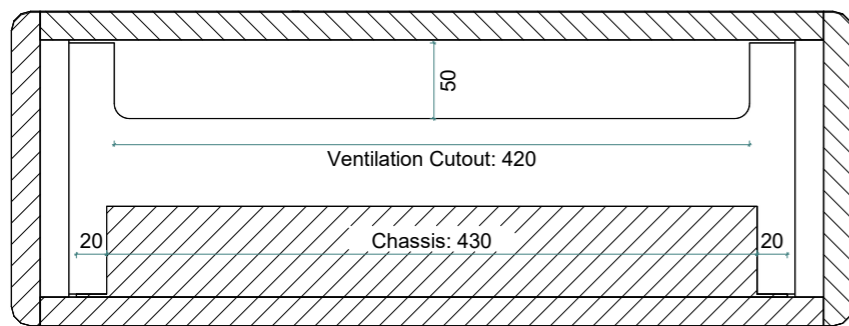
RH View



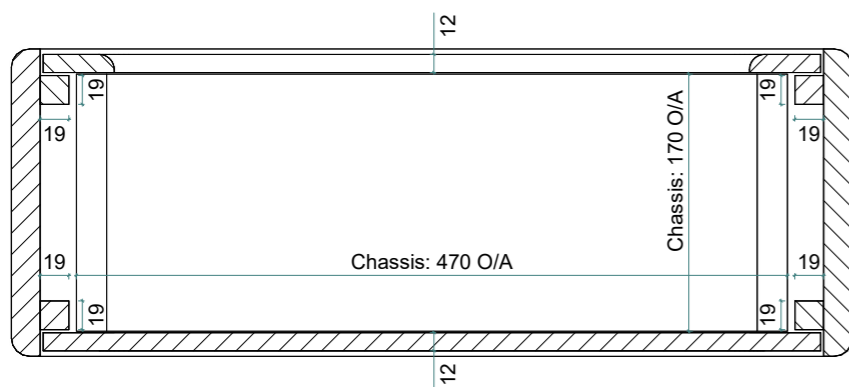
Front Axo View



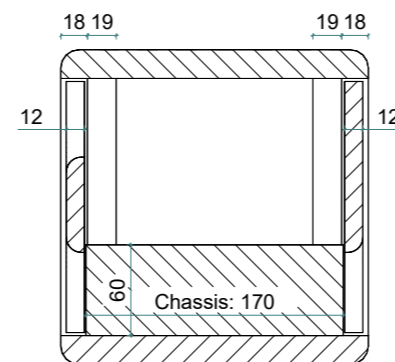
Rear Axo View



Section A-A



Section C-C



Section B-B

**Notes:**

- Drawings not to be reproduced without consent
- Check material thickness. Screw location and finger joint depth will have to be adjusted to suit.
- Allowance have been made for standard vinyl covering and approx 2mm thick grille cloth.
- Dimensions may need to be altered for other materials or timber finishing.
- It's suggested that all screws be fitted with suitable T-nuts or threaded inserts for longevity.
- Hole diameter may vary with hardware choice.
- Trial and error may be required with some hardware.
- Speaker cutout and mounting holes may vary with manufacturers. measure actual unit before drilling.



<b>Project</b>	British Style 18w TMB - Head Format				
<b>Title</b>	Solid Pine Cabinet (12mm Plywood covers)				
<b>Project No.</b>	N/A	<b>Sheet No:</b>	1/1	<b>Issue</b>	A
<b>Drawn By</b>	BW	<b>Scale</b>	1:5@A3(UNO)	<b>Date</b>	21/01/24